

Installation Instructions

Select GM/GMC Vehicles W/ 8" Screens

This manual shows a typical installation. Your vehicle may vary. Use caution and if unsure seek professional assistance.



Vehicle Preparation

Before beginning your installation, familiarize yourself with the installation instructions and the RearSight camera system components.

To ensure your safety, (A) apply the emergency brake and (B) read this entire manual before beginning.

CAUTION: Disconnect the negative battery cable at least 3 minutes before beginning installation. This is advised to avoid unintended air bag deployment or possible damage to vehicle computer components. Damage to vehicle components is not covered by Rostra Precision Controls Inc.

Components :

System T- Harness



Interface Module



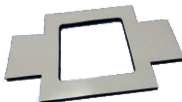
Video Output Cable



Front/R Cam Harness



VHB Mounting Tape



Video Input Cable



Rear Cam Harness



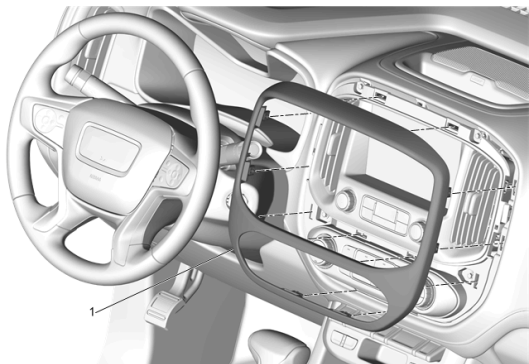
USB/L CAM Cable



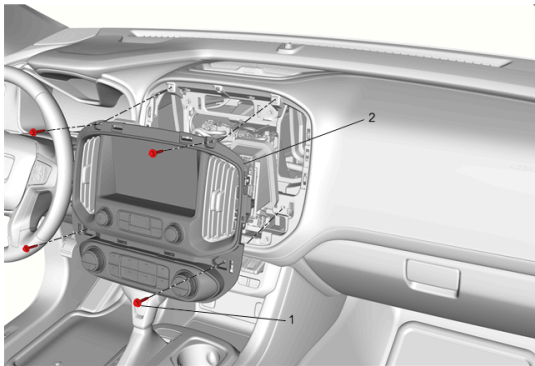
HDMI Cable



1: Carefully remove the radio bezel by using a Nylon pry tool. Use caution to not scratch the panel or dash.



2: Remove the 4 screws holding the control panel and AC controls. Disconnect panel and set aside.



3: Remove the lower glove box. There are four T-10 screws holding it in place.



4: Remove the glove box and set aside.



5: Run the Camera Interface main harness from the glove box area behind the dash to behind the LCD panel where you see the connections for the Radio control module. The Harness end that has the small white connectors should be located behind glove box.

6: Unplug the plug from the white color connector on radio control module (shown below) and connect to interface harness. Connect the interface harness to the radio control module white plug.



7: Move to the area behind the glove box compartment, here you will find the HMI Module (see below when looking up behind the glove box compartment).



8: Start by disconnecting the black colored plug on the module. Plug the connector you just removed into the Interface harness and the harness into the HMI Module.

9: Next move to the Blue LVDS video connector on the HMI Module. Disconnect this plug. Find the two LVDS cables included in your kit. These will plug into the Camera interface module and into the HMI module as well as the LVDS cable you just removed. Connect the included cables and route them to the area below the glove box for use later.



10: All connections to the vehicle are now done. Next you will make your connections to the Camera Interface module. Once all connections are made the module can be mounted or located anywhere under or near the glove box. You will need to find a location and plan your wiring path to come to this location.

11: HDMI and USB Cable mounting and connection. Included in your package are two drill and mount cables. The USB cable is used for system updates and will supply charging power for a device. The HDMI Cable is used for Phone Mirroring to the OEM screen.

- A:** Determine where you want to mount these connections. In the lower or upper glove box is the recommended location. Also mounting near each other for use of the USB power when phone mirroring is advisable.
- B:** After determining your mounting location and double checking that there is room behind the location drill a 1.25" hole for each cable.
- C:** Push the cables through the hole snapping the connector into place.
- D:** Route the cables to the interface location.

HDMI CABLE



USB / LEFT CAM



12: Camera Connections:

NOTE: All Cameras **MUST** be wired Hot to ACC +12V in order to use the monitoring functions. The red wire on the Rear Camera input lead will provide power when the aftermarket rear camera is activated and selected.

DO NOT connect the camera power leads to the turn signals or reverse lamps. The Rearsight interface uses CAN technology to select the correct camera to display.

We recomend using Rostra Rearsight cameras with the ability to reverse your image or select images without parking lines. Rearsight Blindspot cameras are designed specifically for these application.

If the vehicle has a factory rearview camera the rear camera input may be used for a cargo, fithwheel, or any other application. Selection of the factory rear camera is made under the camera settings page.

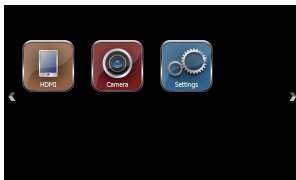
Install your cameras per the instructions provided with them. Run power for each camera from a ACC +12v source. Route your camera RCA cables to the Interface module location.

13: Connect the Camera Rear and Front/Right input cables to the module. The Left input is located on the USB cable connection. Connect your cameras to the correct input location. Tape your RCA connections together to reduce any possibilty or vibration loosening the cable.

14: Reconnect the screen and return it to its mounted position in the dash. Do not install the screws or trim ring at this time.

15: Reconnect the vehicle battery

16: Turn the ignition on and allow the factory radio time to boot up. Use the arrows on the right or left side of the screen to access the interface menu. Depending on the year of the vehicle you may need to scroll through 2 or more factory screens.



The interface menu will be the last screen.

17: Settings

Enter the settings menu and enter **Camera**.

System: System updating, master reset, language, and firmware information.

Camera: Enters Camera settings page and set according to your installation.

- > Reversing Camera Settings - Camera ON/OFF
- > Reversing Camera Options - OEM / Aftermarket Rear Camera
- > Front Cam. Trigger by Speed - Selected will enable Front camera when below 10mph. Deselect to use a long press on the BACK button on the dash to activate the front camera manually. If no front cam is installed deselect the check mark.

17: Settings - Continued

- > Left Cam. Trigger By Turn Signals. - If a left side blindspot camera is installed select this option. Deselect if not installed or a black screen will show when turn signals are used.
- > Right Cam. Trigger By Turn Signals. - If a right side blindspot camera is installed select this option. Deselect if not installed or a black screen will show when turn signals are used.

18: Once settings are correct for your installation test all cameras. Make sure your parking brake is engaged and it is safe to do before placing the vehicle in reverse gear. The vehicle must be running for the factory reverse camera to display.

When testing the Blindspot side cameras there will be a 3 second delay after the turn signal is shut off before the camera image turns off. This is normal operation.

To view the front camera press and hold the BACK button until the display shows the image. Press again or the HOME button to return to the OEM screen.



While displaying the front camera tap the screen lightly and indicators for all other cameras will appear, select any camera to view in Monitor mode. NOTE the OEM camera will not display in this mode.

Wiring diagram:

