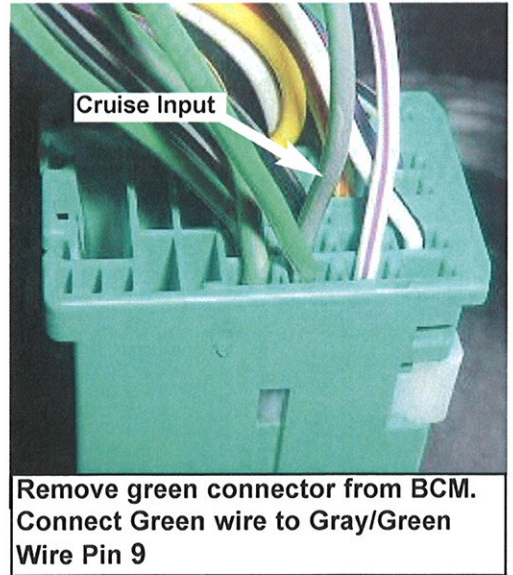
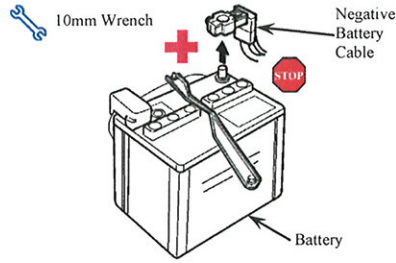


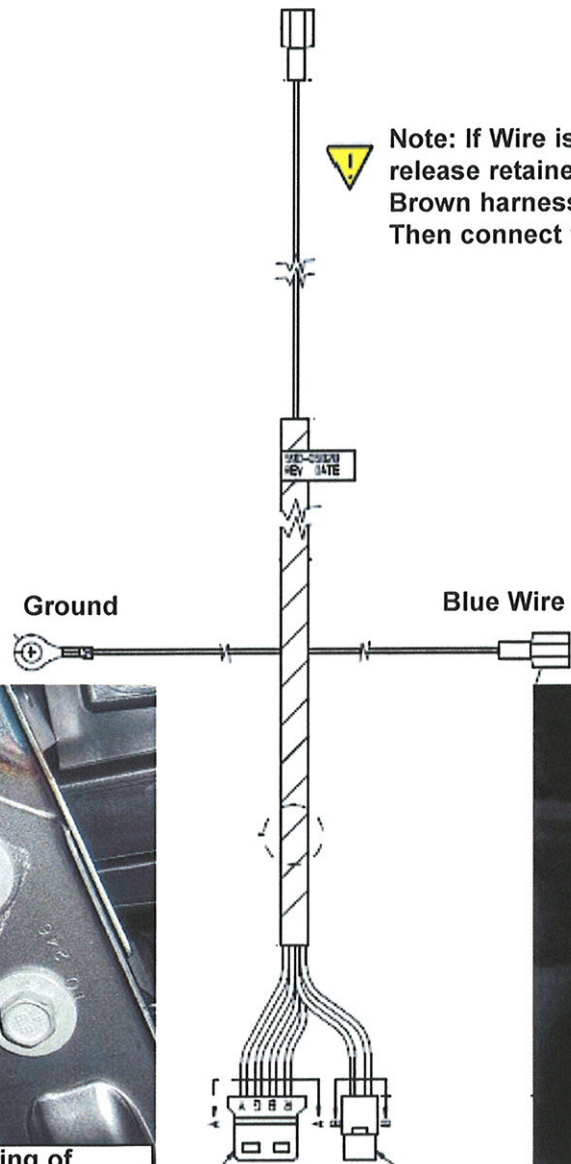


Remove passenger side panel from console to access BCM

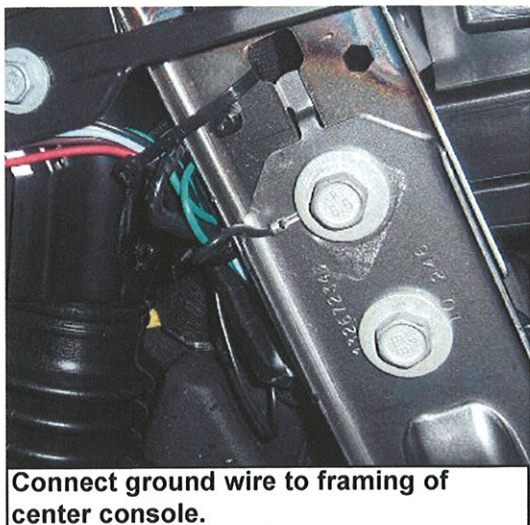
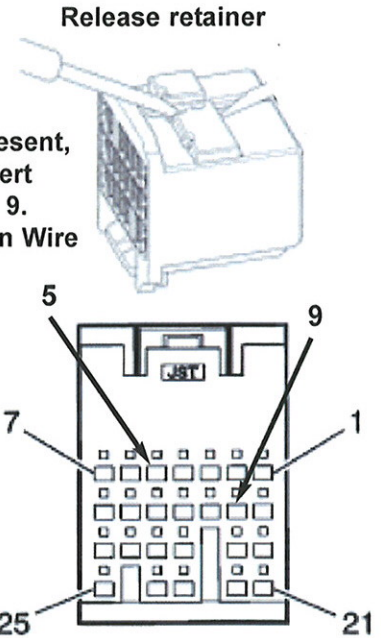


Remove green connector from BCM. Connect Green wire to Gray/Green Wire Pin 9

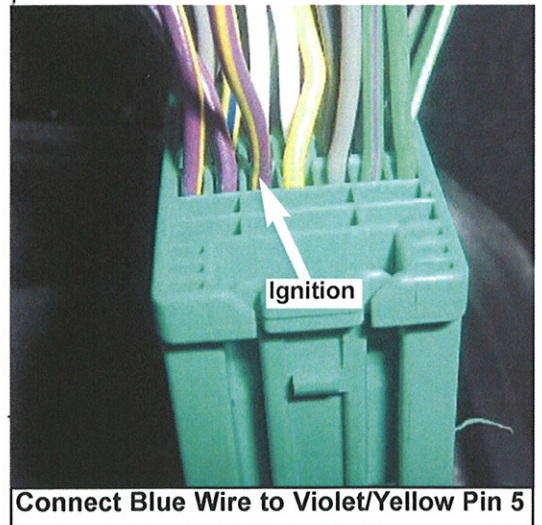
Green Wire



Note: If Wire is not present, release retainer to insert Brown harness to Pin 9. Then connect to Green Wire



Connect ground wire to framing of center console.



Connect Blue Wire to Violet/Yellow Pin 5



Do not drill hole for control switch before testing the cruise system

Mate wires color to color from switch harness to cruise harness connector

