







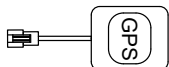


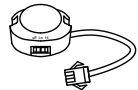

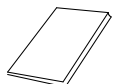
RRostra
Accessories

250-1930
Blind Spot Detection
Installation Guide

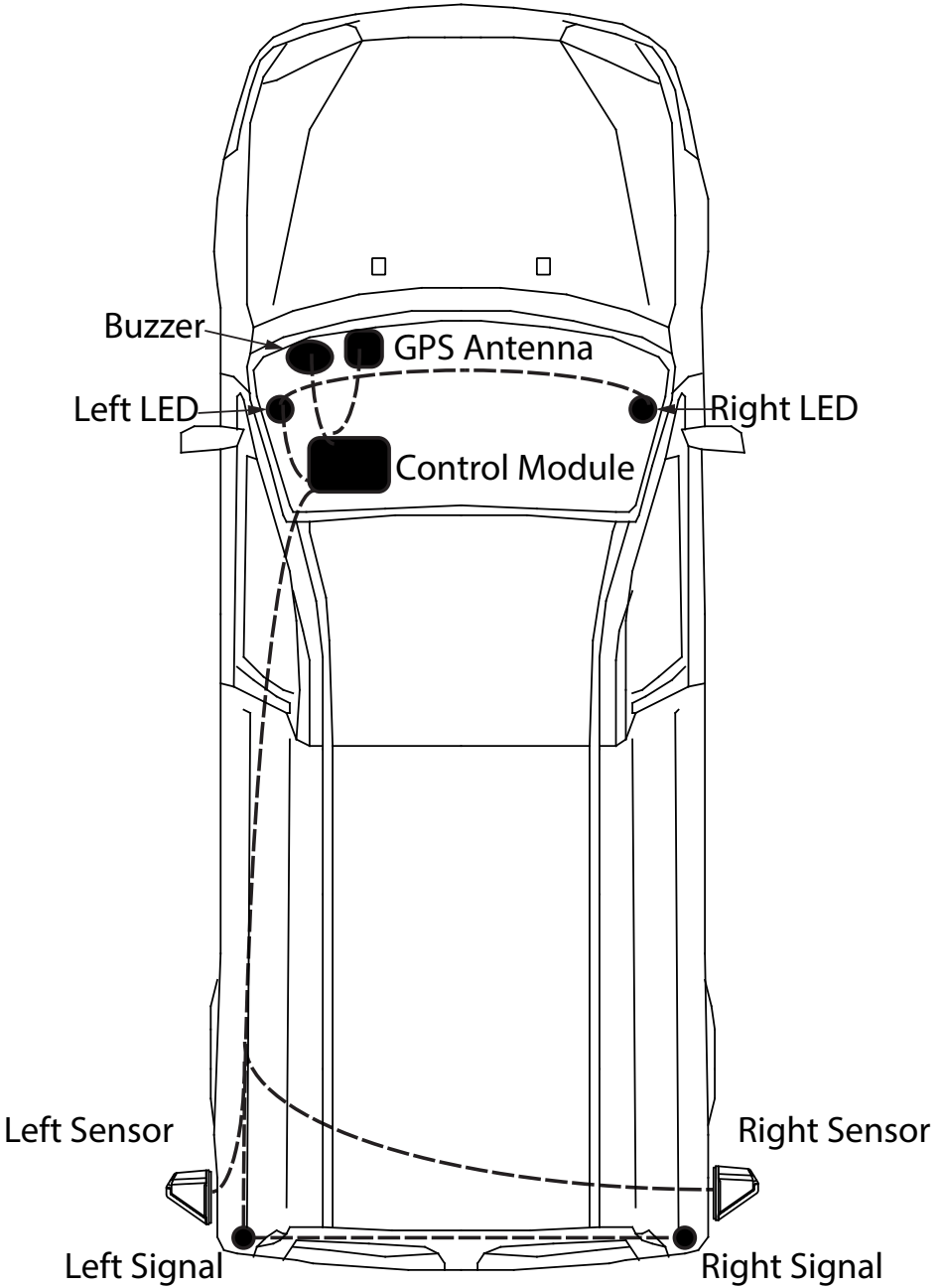
VOXXElectronics
Corporation

A VOXX INTERNATIONAL COMPANY

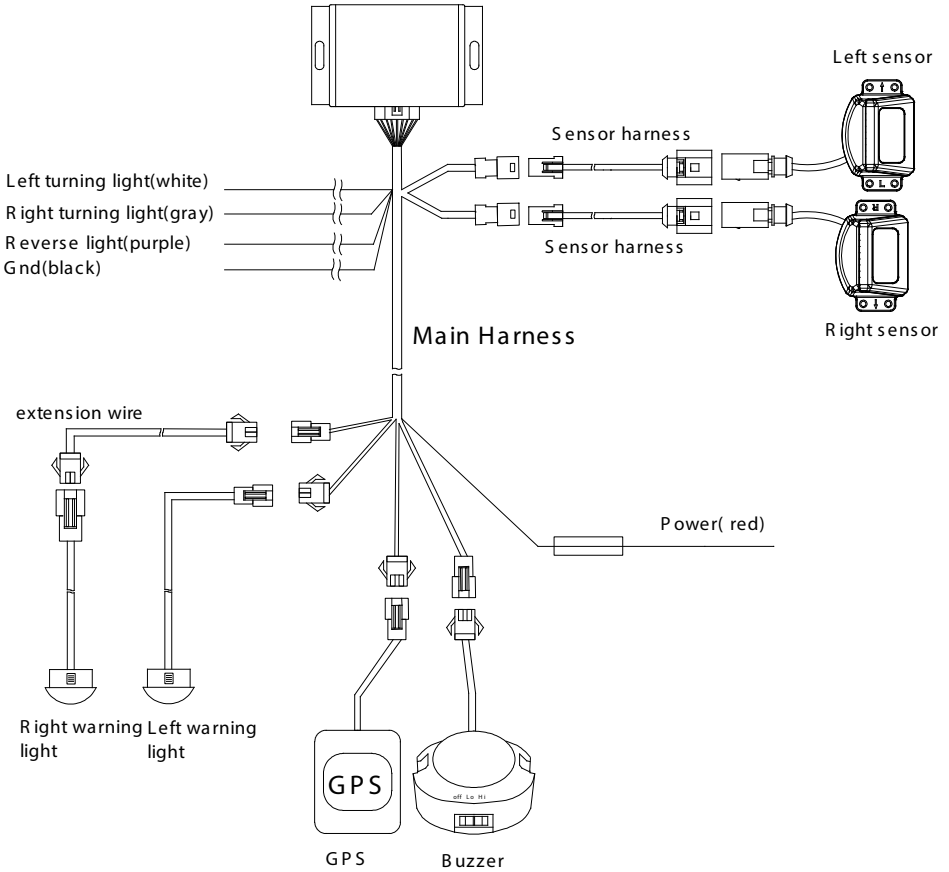
Kit Contents

NO.	Item	QTY.	Image
1	BSD Sensor	2	
2	Control Module	1	
3	Main Harness	1	
4	Sensor Harness	2	
5	GPS Antenna	1	
6	LED Indicator	2	
7	LED Extension	1	
8	Buzzer	1	
9	Installation Hardware Kit	1	
10	Install / Owner's Guides	2	

System Layout



Harness Layout



Note: The Rostra 250-1930 includes (2) 7.5m sensor extension harnesses. If a longer harness is required, Order Rostra item 250-1933. This will provide a total harness length of 15m (49.2in) from the sensor to the control module.

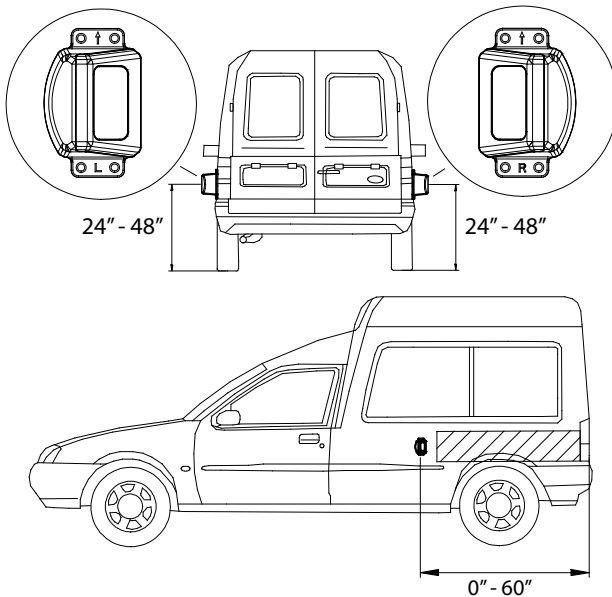
Installation Tools and Tips

- Drill
 - Painters Tape
 - Plastic pry bars
 - Philips/Flathead screwdrivers
 - Surface cleaner (i.e. rubbing alcohol)
 - Sockets and wrenches
 - Zip ties
 - Rag
1. Disconnect vehicle battery to prevent damage.
 2. To avoid drilling holes, look for and use 'grommets' for bumper access.
 3. Please do not pull on the wires to remove the connectors.
 4. Be sure connectors are properly secured and "Click" when inserted.
 5. Please use the supplied cable ties to fasten harness while installing – make sure to keep taught and conserve slack.

BSD Sensor Installation

1 A. Before You Begin

1. The BSD sensors will be installed on the left and right sides of the vehicle. The sensors are surface mounted and require drilling for both mounting the sensor and routing the cable.
2. Locate a position on the left and right of the vehicle that will allow for the sensors to be mounted at the same height from the ground and distance from the rear of the vehicle.
3. Sensors should be mounted on the vehicle at a height between 24" and 48" from the ground.
4. The sensors should be mounted within 60" from the rear of the vehicle.



Installation

1 B. Install Left BSD Sensor

1. Clean installation surface of the vehicle and apply masking tape to protect the vehicle while drilling.
2. Place the sensor in the mounting area and mark the top right mounting screw location with a marker (FIG 1). This should be the top rear mounting screw. Note: This location will be used to find the proper location of the right side sensor. Take note the height from the ground and distance from the rear of the vehicle.
3. Align the sensor using a level so that the sensor housing is plumb.
4. Mark the remaining mounting screw locations using a marker.
5. Set the sensor aside and mark the approximate location to drill for cable routing. This location should be within the mounting screw footprint.
6. Drill a pilot hole at each mounting screw location.
7. Drill a 20mm hole to route the sensor cable.
8. Rout the sensor cable through the vehicle body and mount the sensor using the provided screws.

Note: After testing is completed, use included foam tape to seal sensor connectors to prevent excess water and ice build-up (FIG. 3).

1 C. Install Right BSD Sensor

1. Clean installation surface of the vehicle and apply masking tape to protect the vehicle while drilling.
2. Using the measurements from Step 2 of section 1B, mark the location for the top left mounting screw location. This should be the Top Rear mounting screw.
3. Place the sensor onto the vehicle body using the point marker in Step 2 (FIG 2).
4. Align the sensor using a level so that the sensor housing is plumb.
5. Mark the remaining mounting screw locations using a marker.
6. Set the sensor aside and mark the approximate location to drill for cable routing. This location should be within the mounting screw footprint.
7. Drill a pilot hole at each mounting screw location.
8. Drill a 20mm hole to route the sensor cable.
9. Rout the sensor cable through the vehicle body and mount the sensor using the provided screws.

Note: After testing is completed, use included foam tape to seal sensor connectors to prevent excess water and ice build-up (FIG. 3).

FIG. 1

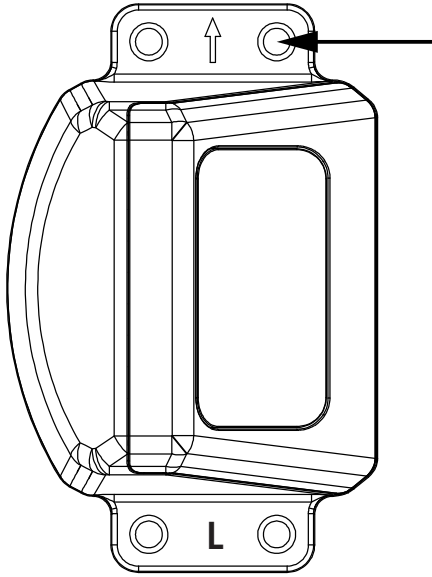


FIG. 2

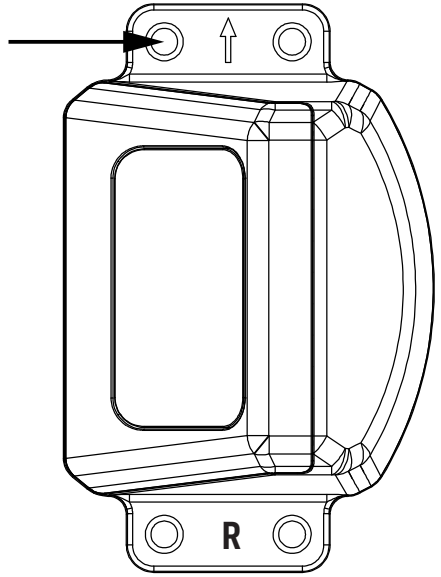


FIG. 3

Wrap with Foam Tape



Installation

Control Box Installation

3 A. Control Box Installation

1. Find accessible location to mount the control box. This location will need to be accessed to complete installation. Note, the control box is not water-proof and should be mounted in a dry location.
2. Securely mount the control box using screws or 2 sided adhesive tape.
3. Connect BSD Main Harness to Control Box.
4. Route BSD sensor harnesses to the BSD sensor locations.

3 B. Connect Right Turn Signal Wire

1. Access right brake light assembly.
2. Locate and test the factory right turn signal trigger wire.
3. Connect the BSD's GRAY Right Turn Signal wire to the vehicle's right turn signal trigger wire.

3 C. Connect Left Turn Signal Wire

1. Access Left right brake light assembly.
2. Locate and test the factory left turn signal trigger wire.
3. Connect BSD's WHITE Left Turn Signal wire to the vehicle's left turn signal trigger wire.

3 D. Connect Reverse Trigger Wire

1. Locate and access the reverse light assembly.
2. Locate and test the factory reverse trigger wire.
3. Connect the BSD's PURPLE Reverse Signal wire to the vehicle's reverse trigger wire.

3 E. Connect Ground (-) Wire

1. Locate suitable location for the BSD Ground (-) wire. Always check both sides of the vehicle's body before drilling to prevent damage to the vehicle.
2. Use a self tapping screw to secure the Ground (-) wire to the vehicle chassis.

3 F. Route Main Harness to Front of Vehicle

1. Use interior trim panels to route wires to the Driver's side front of vehicle.
2. Route to area with 12-Volt (+) Accessory access.
3. Locate a suitable 12-Volt (+) Accessory wire in the vehicle.
4. Connect the BSD's RED 12-Volt (+) Accessory to the vehicle's 12-Volt Accessory wire.

LED, GPS, & Buzzer Installation

4 A. Left LED Installation

1. Locate a suitable location for the Left LED indicator.
2. Drill a 5/8 inch hole the vehicle's trim panel and mount the Left LED indicator. Always Check both sides of the trim panel before drilling to prevent damage to the vehicle.
3. Route the LED harness to the main harness and make a secure connection.

4 B. Right LED Installation

1. Locate a suitable location for the Right LED indicator.
2. Drill a 5/8 inch hole in the vehicle's trim panel and mount the Right LED indicator. Always Check both sides of the trim panel before drilling to prevent damage to the vehicle.
3. Using the LED Extension harness, route the LED harness to the main harness and make a secure connection.

4 C. Buzzer Installation

1. Locate a suitable location for the Buzzer. This location should be accessible to the driver to make volume adjustments.
2. Use the supplied 2 sided adhesive tape to secure the buzzer to the vehicle's trim panel.
3. Route the Buzzer harness to the main harness and make a secure connection.

4 D. GPS Installation

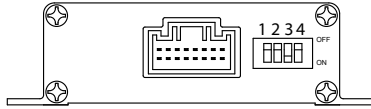
1. Locate a suitable location for the GPS Antenna. This location should have an unobstructed path to the sky. Any metal between the GPS Antenna and the satellites will cause GPS connection problems.
2. Use the supplied 2 sided adhesive tape to secure the GPS Antenna to the vehicle's trim panel.
3. Route the GPS Antenna harness to the main harness and make a secure connection.

Testing

Configuration And Testing

5 A. Dip Switch Setting

The control Module has 4 dip switch settings that should be reviewed before testing.



No.	Switch status	Definition	Note
1	Off	Buzzer Duration 5 Seconds	Default
	On	Buzzer Duration 2 Seconds	
2	Off	30° Installation	
	On	35° Installation (Ext Side Bracket)	Default
3	Off	GPS Control OFF	Default
	On	GPS Control On @ 15 m/h	
4	Off	BSD warning area is 20ft	Default
	On	BSD warning area is 15ft	

Dip Switch Description

1. Buzzer Duration

OFF - Buzzer will sound for 5 seconds when a vehicle is detected in the blind spot detection area when the turn signal is activated.

ON - Buzzer will sound for 2 seconds when a vehicle is detected in the blind spot detection area when the turn signal is activated.

2. Installation Angle

OFF - Sensor will be mounted on the REAR of the vehicle using an optional external sensor housing.

ON - Sensors will be mounted on the SIDE of the vehicle using the provided side external sensor housing.

NOTE: Dip Switch 2 will be ON from factory, This switch MUST be in the ON position.

3. GPS Control

OFF - GPS Antenna will not control activation of the BSD system. The system will be functional anytime the vehicle is powered ON.

ON - GPS Antenna will activate or deactivate the BSD system at 15mph.

4. Warning Area I

OFF - Warning Area will be 20 feet.

ON - Warning Area will be 15 feet.

After reassembling the vehicle the system should be tested on the road in highway and surface street conditions. This system is capable of detecting a vehicle traveling in both directions, Passing and Overtaking.

Note: If using the GPS Speed control, the vehicle will need to be traveling above 15mph for the system to be active.

5 B. Right Sensor Testing

Vehicle Passing

Drive the vehicle above 15mph. When a vehicle approaches from behind on the right side of your vehicle, the right LED indicator should illuminate. While the Right LED is illuminated, activate the vehicle's Right turn signal. The system should begin to flash the LED and sound the buzzer for 2 or 5 seconds.

Vehicle Overtaking

Drive the vehicle above 15mph. When your vehicle approaches and overtakes another vehicle on the right side, the Right LED indicator should illuminate. While the Right LED is illuminated, activate the vehicle's Right turn signal. The system should begin to flash the LED and sound the buzzer for 2 or 5 seconds.

5 C. Left Sensor Testing

Vehicle Passing

Drive the vehicle above 15mph. When a vehicle approaches from behind on the left side of your vehicle, the Left LED indicator should illuminate. While the Left LED is illuminated, activate the vehicle's Left turn signal. The system should begin to flash the LED and sound the buzzer for 2 or 5 seconds.

Vehicle Overtaking

Drive the vehicle above 15mph. When your vehicle approaches and overtakes another vehicle on the left side, the Left LED indicator should illuminate. While the Left LED is illuminated, activate the vehicle's Left turn signal. The system should begin to flash the LED and sound the buzzer for 2 or 5 seconds.

5 D. Rear Cross Traffic Testing (RCTA)

Park the vehicle in a heavily traveled parking lot. With your foot securely on the brake, shift the vehicle into reverse gear. When a vehicle enters the detection area from the Left or Right, the system will flash the LED indicators and sound the buzzer for 2 or 5 seconds.

Note: In RCTA mode the approaching vehicle must be traveling above 5mph. This system will not detect any vehicle traveling below 5mph.

**For customer or technical support please call Voxx Support:
1-800-645-4994
Monday – Friday**

VOXXElectronics
Corporation
A VOXX INTERNATIONAL COMPANY



For Customer Service
Visit Our Website At
www.voxxelectronics.com
Product Information, Photos,
FAQ's, Owner's Manuals